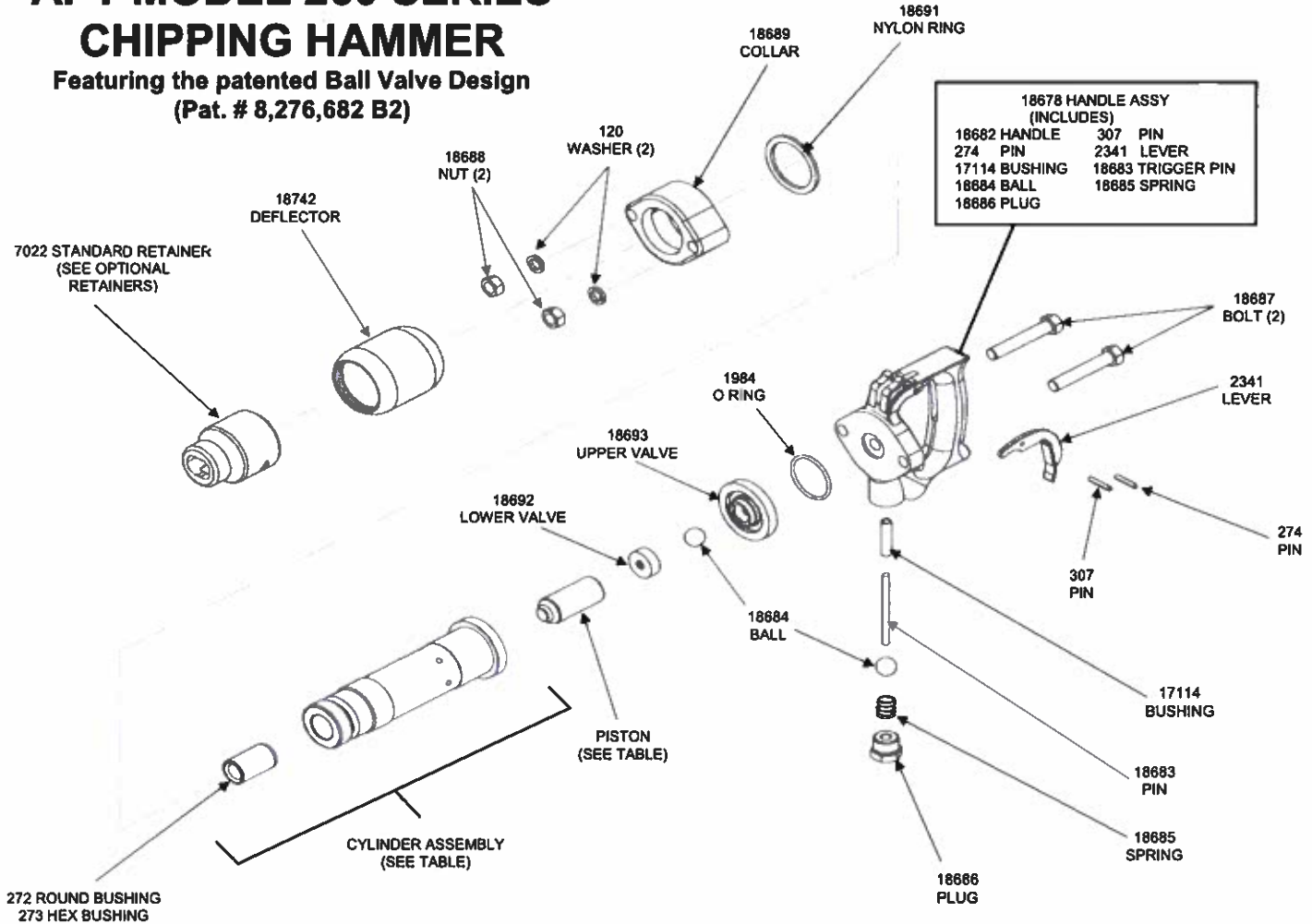




American Pneumatic Tools

APT MODEL 260 SERIES CHIPPING HAMMER

Featuring the patented Ball Valve Design
(Pat. # 8,276,682 B2)



2 BOLT CHIPPING HAMMER

MODEL	CYLINDER ASSEMBLY	PISTON
M263, 3" STROKE, ROUND BUSHING	18673	1534
M263, 3" STROKE, HEX BUSHING	18676	1534
M264, 4" STROKE, ROUND BUSHING	18674	703
M264, 4" STROKE, HEX BUSHING	18677	703

For assistance in any sales, technical, maintenance or repair questions, please call APT @

Phone: (800) 532-7402 or (714) 285-2828 • Fax: (800) 715-6502 or (714) 285-2829

1000 S. Grand Ave, Santa Ana, CA 92705

Website: www.apr-tools.com • e-mail: info@apr-tools.com

TDS-1059 Rev B

© 2017 AMERICAN PNEUMATIC TOOLS a business unit within: Construction Equipment North America LLC.