



American Pneumatic Tools

DISCONTINUED TOOLS & FORMER CONSTRUCTIONS OF TOOLS

**American Pneumatic Tool has a limited stock
for various parts for the tools
featured in this section.**

Please contact the APT facility for price and availability.

For assistance in any sales, technical, maintenance or repair questions, please call APT @

Phone: (800) 532-7402 or (714) 285-2828 • Fax: (800) 715-6502 or (714) 285-2829

1000 S. Grand Ave, Santa Ana, CA 92705

Website: www.apr-tools.com • e-mail: info@apr-tools.com

TDS-1075 Rev B

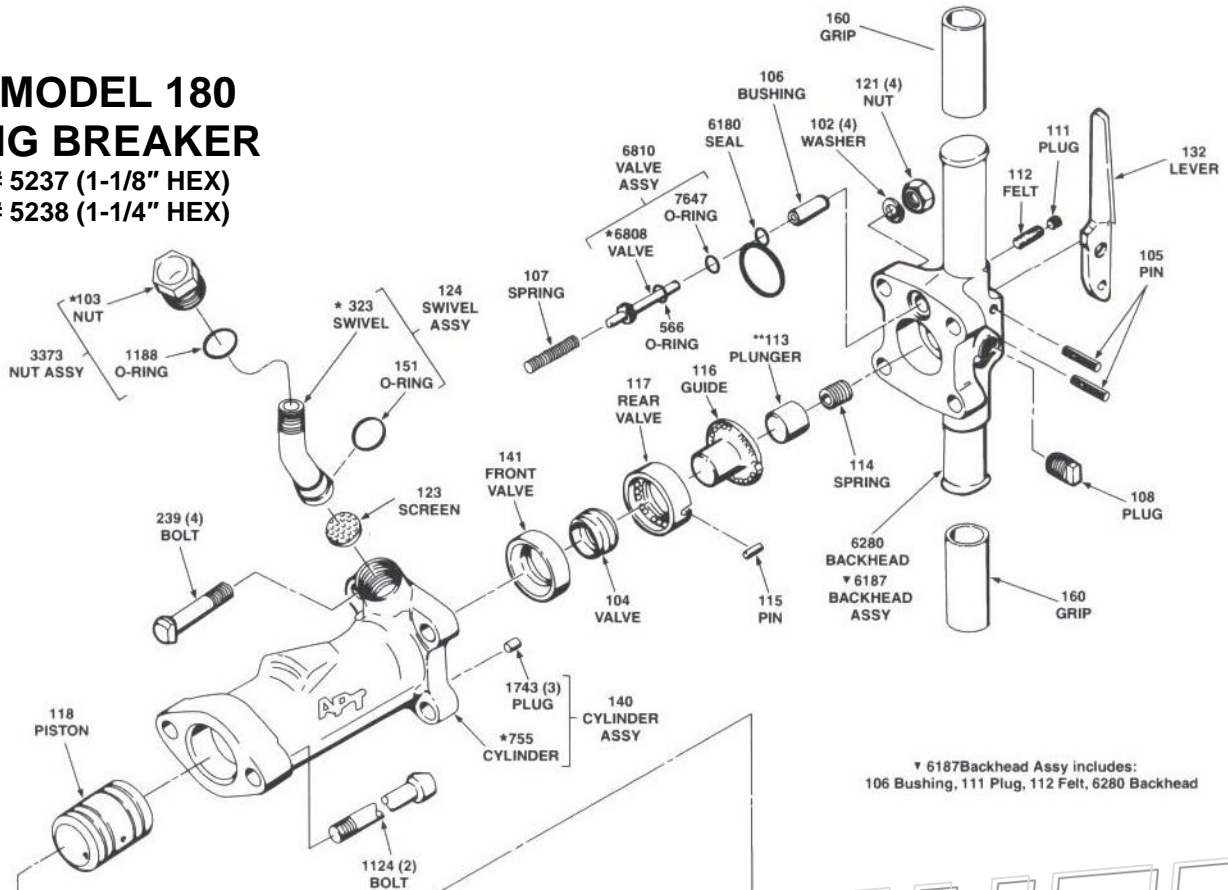
© 2017 AMERICAN PNEUMATIC TOOLS a business unit within: Construction Equipment North America LLC.



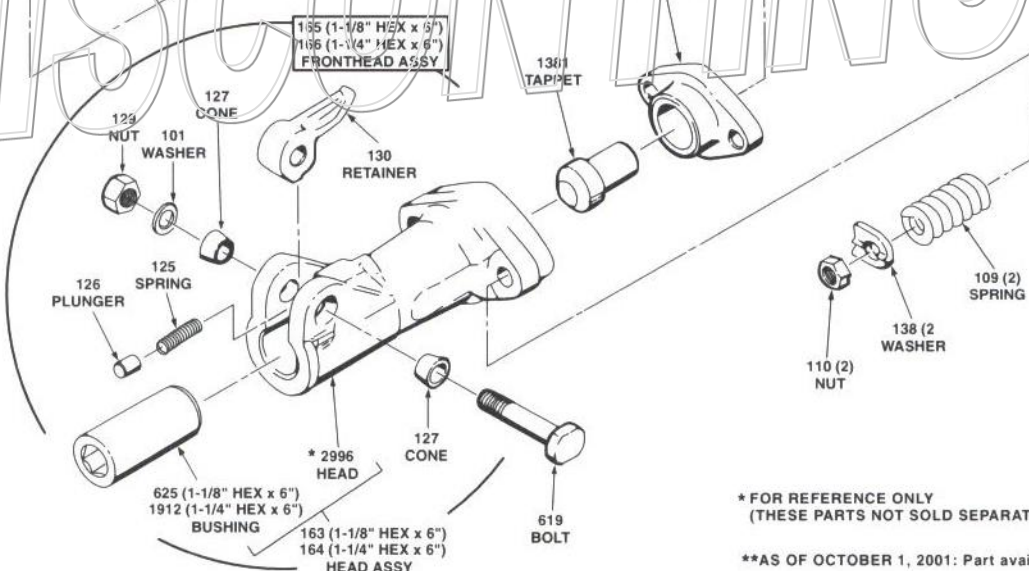
American Pneumatic Tools

APT MODEL 180 PAVING BREAKER

PART # 5237 (1-1/8" HEX)
PART # 5238 (1-1/4" HEX)



DISCONTINUED



* FOR REFERENCE ONLY
(THESE PARTS NOT SOLD SEPARATELY)

**AS OF OCTOBER 1, 2001: Part available upon request only.

For assistance in any sales, technical, maintenance or repair questions, please call APT @
Phone: (800) 532-7402 or (714) 285-2828 • Fax: (800) 715-6502 or (714) 285-2829
1000 S. Grand Ave, Santa Ana, CA 92705



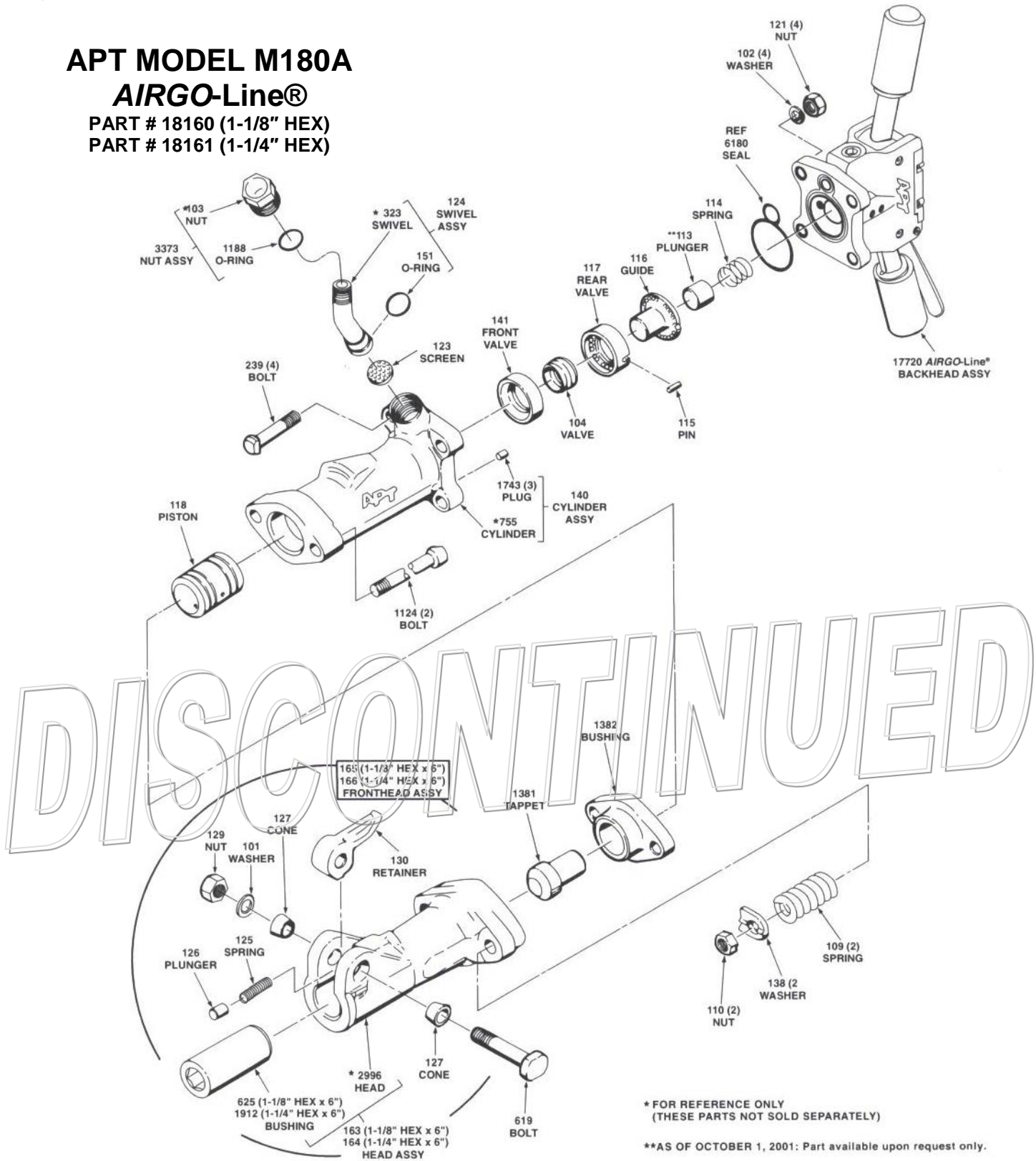
American Pneumatic Tools

APT MODEL M180A

AIRGO-Line®

PART # 18160 (1-1/8" HEX)

PART # 18161 (1-1/4" HEX)



For assistance in any sales, technical, maintenance or repair questions, please call APT @
 Phone: (800) 532-7402 or (714) 285-2828 • Fax: (800) 715-6502 or (714) 285-2829
 1000 S. Grand Ave, Santa Ana, CA 92705

Website: www.apptools.com • e-mail: info@apptools.com

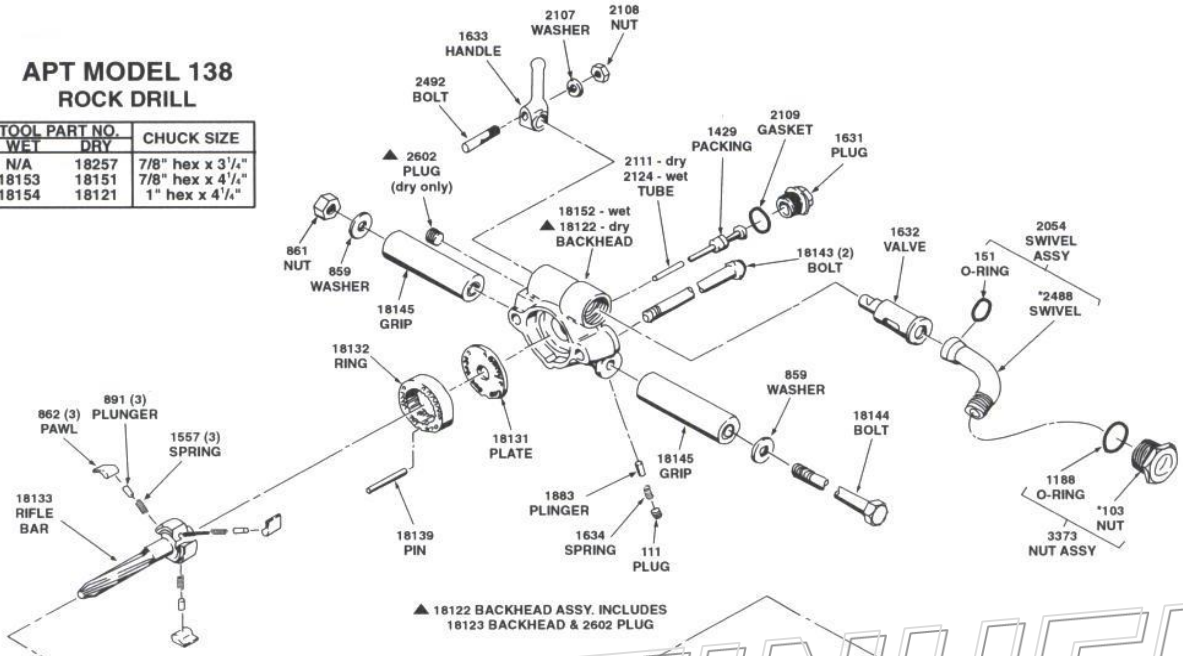
TDS-1079 Rev B



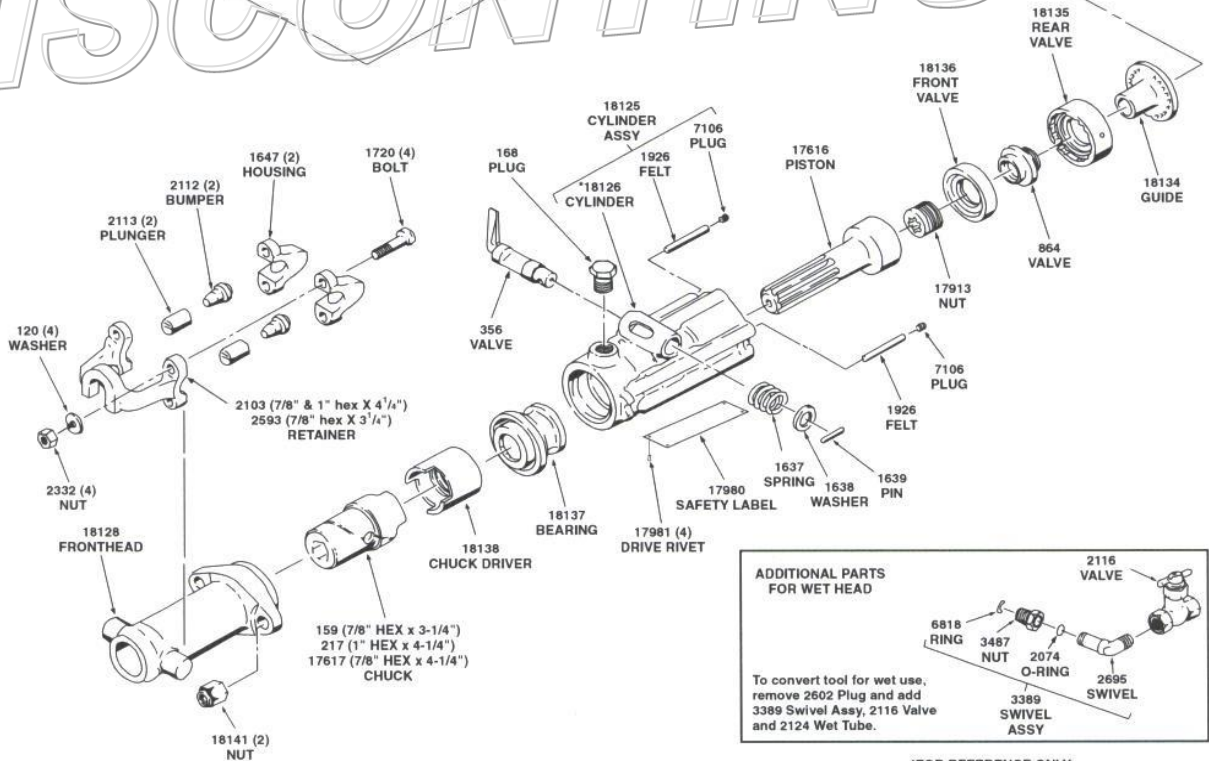
American Pneumatic Tools

APT MODEL 138 ROCK DRILL

TOOL PART NO.		CHUCK SIZE
WET	DRY	
N/A	18257	7/8" hex x 3-1/4"
18153	18151	7/8" hex x 4-1/4"
18154	18121	1" hex x 4-1/4"



DISCONTINUED



*FOR REFERENCE ONLY
(THESE PARTS NOT SOLD SEPARATELY)

For assistance in any sales, technical, maintenance or repair questions, please call APT @
 Phone: (800) 532-7402 or (714) 285-2828 • Fax: (800) 715-6502 or (714) 285-2829
 1000 S. Grand Ave, Santa Ana, CA 92705

Website: www.apr-tools.com • e-mail: info@apr-tools.com

TDS-1080 Rev B



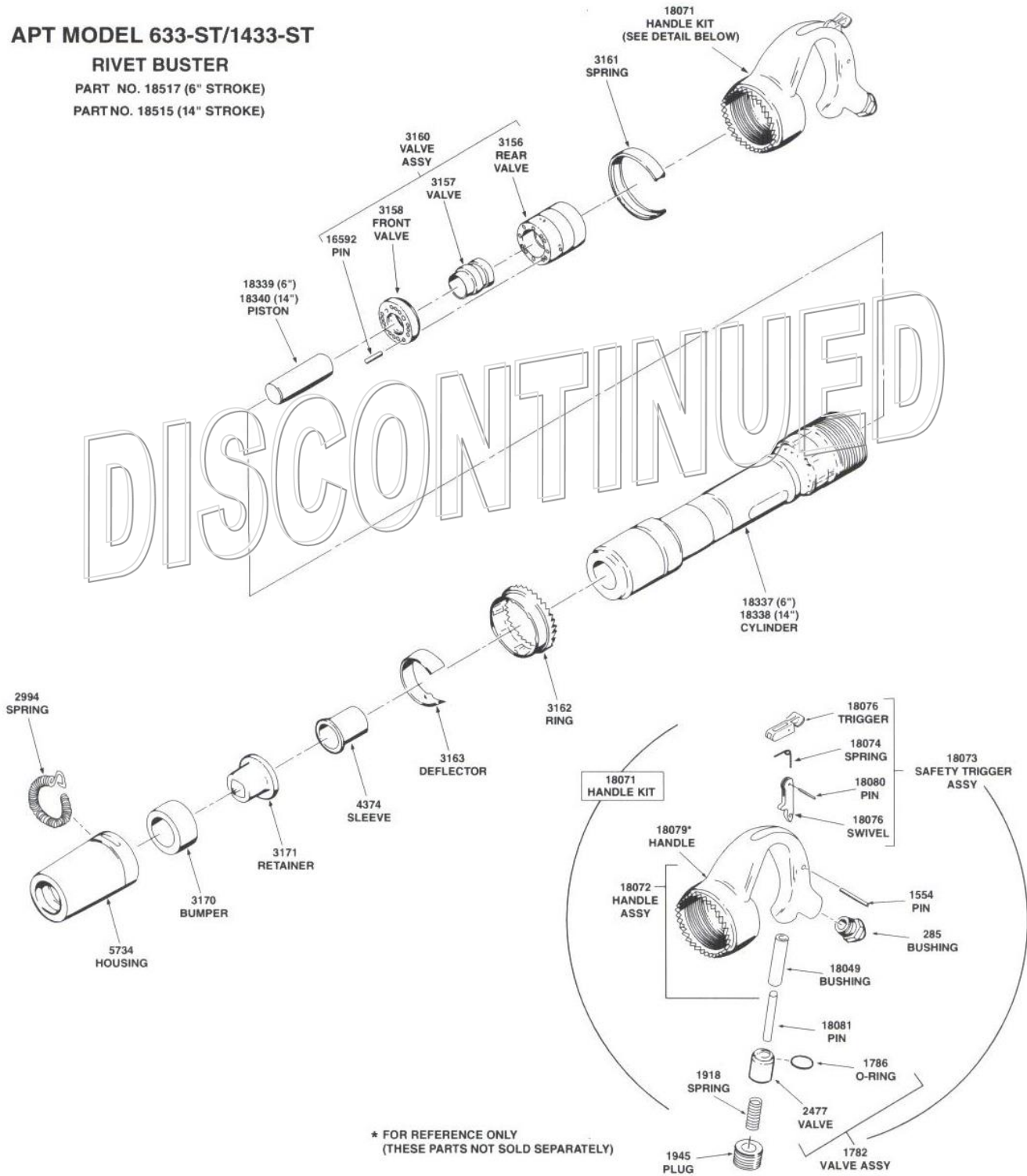
American Pneumatic Tools

APT MODEL 633-ST/1433-ST

RIVET BUSTER

PART NO. 18517 (6" STROKE)

PART NO. 18515 (14" STROKE)



For assistance in any sales, technical, maintenance or repair questions, please call APT @
 Phone: (800) 532-7402 or (714) 285-2828 • Fax: (800) 715-6502 or (714) 285-2829
 1000 S. Grand Ave, Santa Ana, CA 92705

Website: www.apr-tools.com • e-mail: info@apr-tools.com

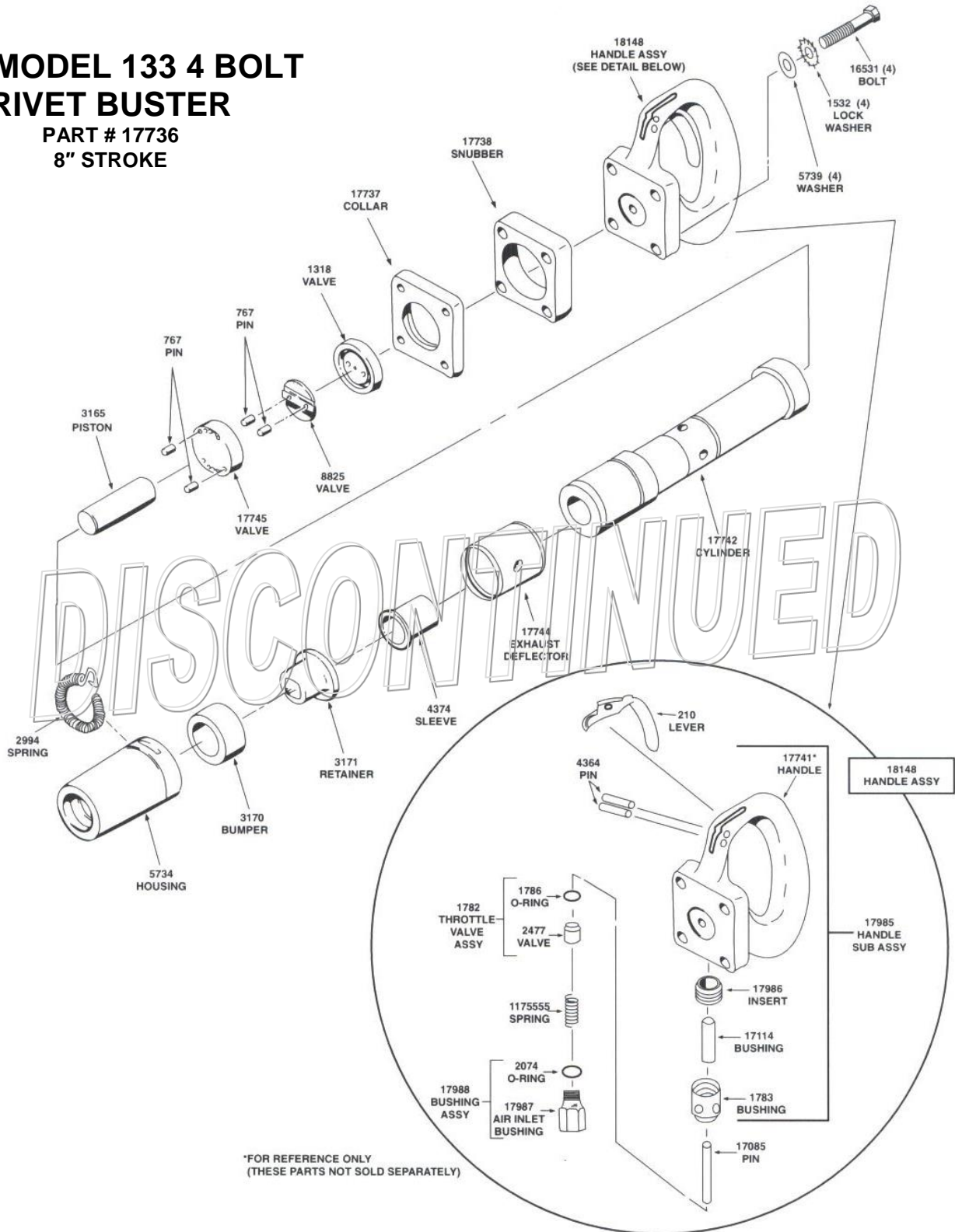
TDS-1081 Rev B

© 2017 AMERICAN PNEUMATIC TOOLS a business unit within: Construction Equipment North America LLC.



American Pneumatic Tools

APT MODEL 133 4 BOLT RIVET BUSTER PART # 17736 8" STROKE



For assistance in any sales, technical, maintenance or repair questions, please call APT @
Phone: (800) 532-7402 or (714) 285-2828 • Fax: (800) 715-6502 or (714) 285-2829
1000 S. Grand Ave, Santa Ana, CA 92705

Website: www.apr-tools.com • e-mail: info@apr-tools.com

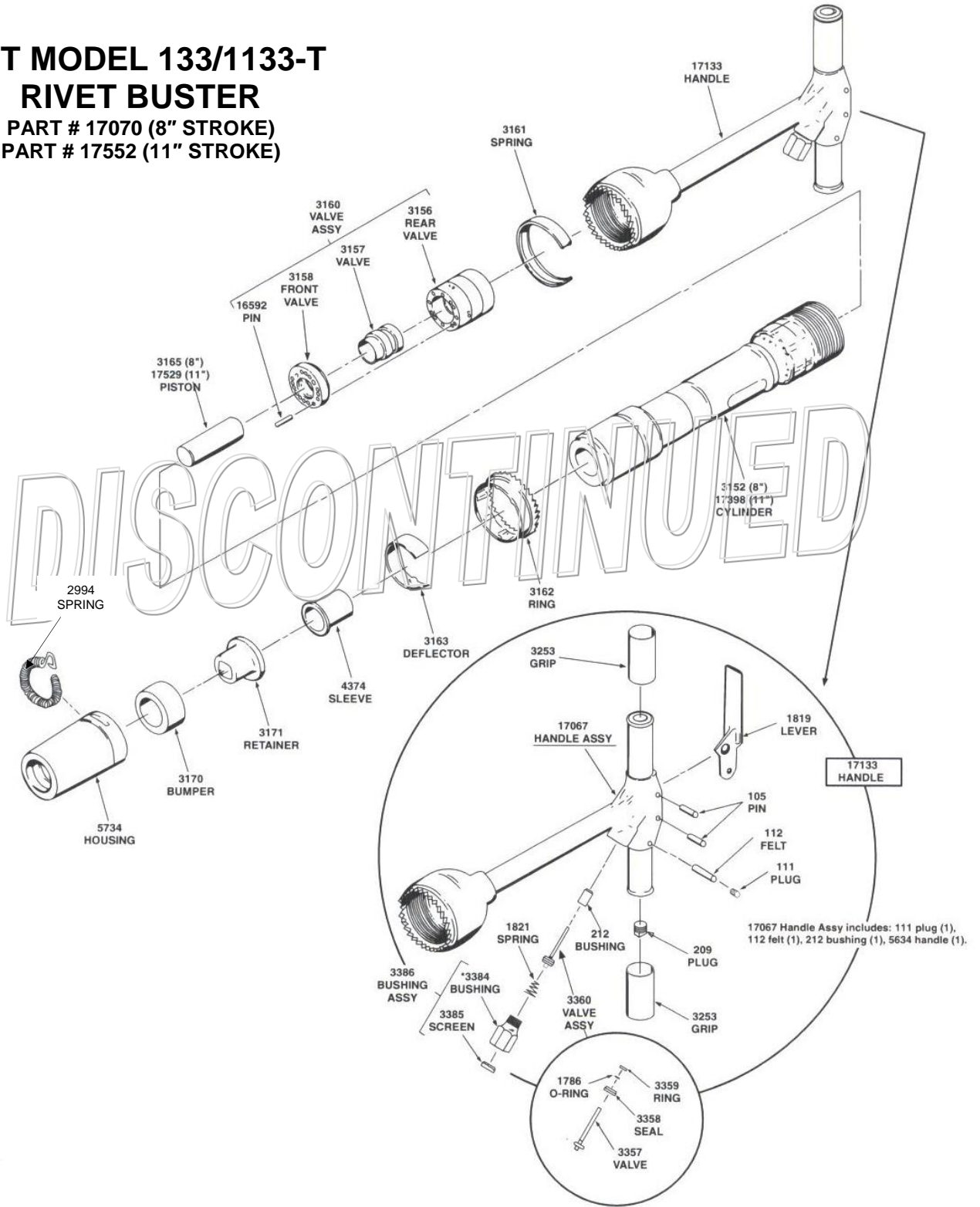
TDS-1082 Rev B

© 2017 AMERICAN PNEUMATIC TOOLS a business unit within: Construction Equipment North America LLC.



American Pneumatic Tools

**APT MODEL 133/1133-T
RIVET BUSTER**
PART # 17070 (8" STROKE)
PART # 17552 (11" STROKE)



For assistance in any sales, technical, maintenance or repair questions, please call APT @
Phone: (800) 532-7402 or (714) 285-2828 • Fax: (800) 715-6502 or (714) 285-2829
1000 S. Grand Ave, Santa Ana, CA 92705

Website: www.apr-tools.com • e-mail: info@apr-tools.com

TDS-1083 Rev B

© 2017 AMERICAN PNEUMATIC TOOLS a business unit within: Construction Equipment North America LLC.



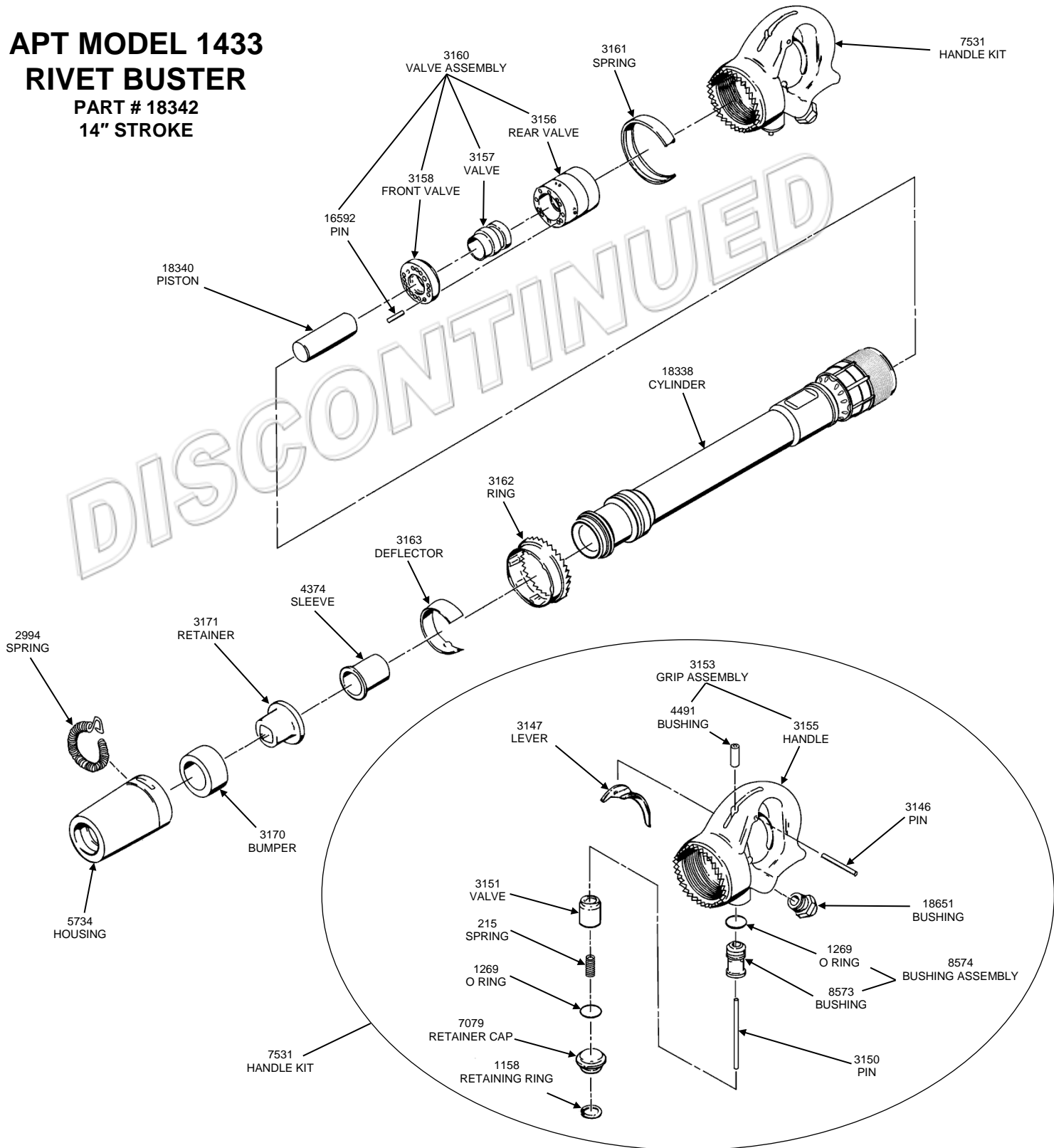
American Pneumatic Tools

APT MODEL 1433

RIVET BUSTER

PART # 18342

14" STROKE



For assistance in any sales, technical, maintenance or repair questions, please call APT @

Phone: (800) 532-7402 or (714) 285-2828 • Fax: (800) 715-6502 or (714) 285-2829

1000 S. Grand Ave, Santa Ana, CA 92705

Website: www.apr-tools.com • e-mail: info@apr-tools.com

TDS-1084 Rev B

© 2017 AMERICAN PNEUMATIC TOOLS a business unit within: Construction Equipment North America LLC.



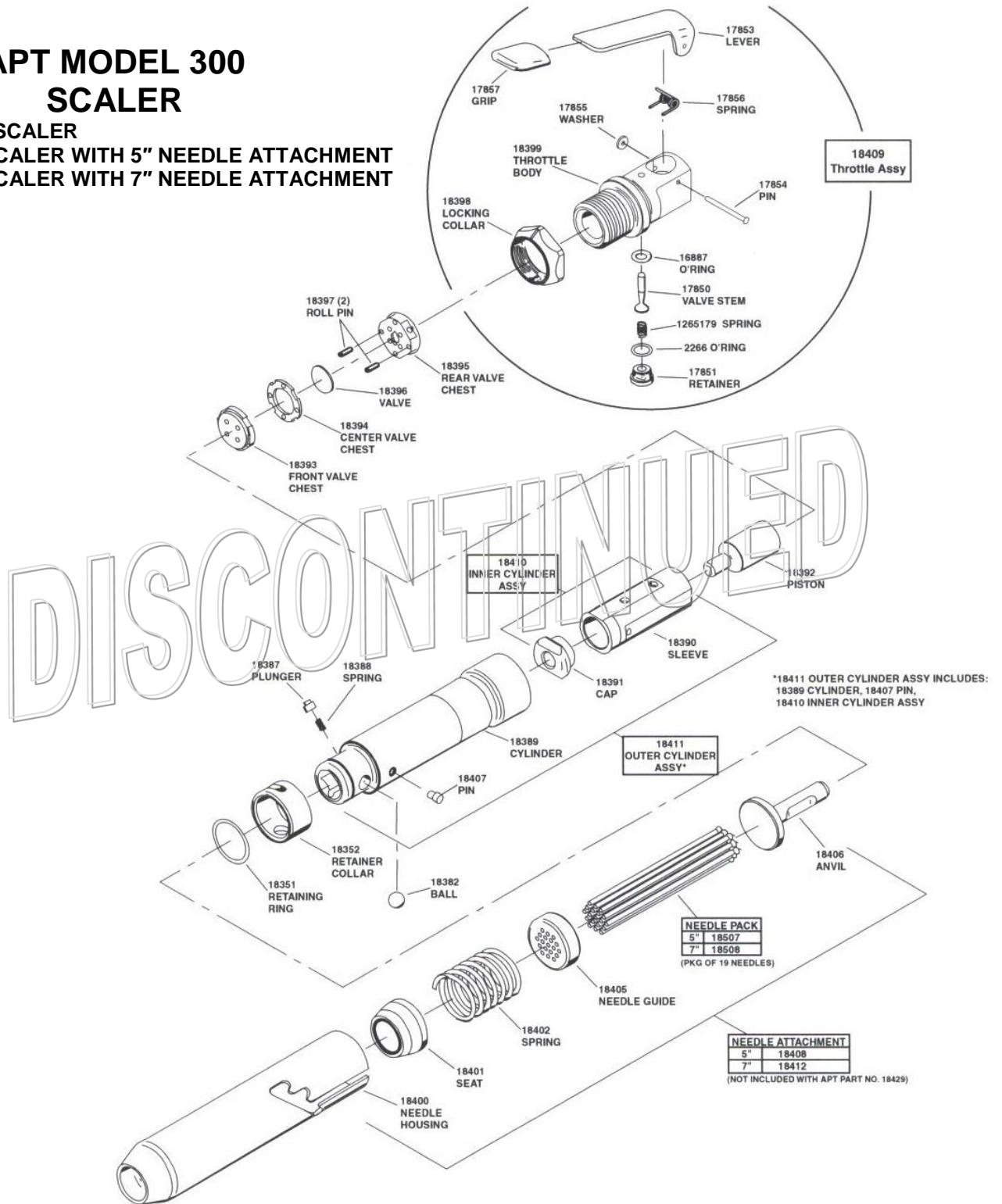
American Pneumatic Tools

APT MODEL 300 SCALER

PART # 18429 - SCALER

PART # 18350 SCALER WITH 5" NEEDLE ATTACHMENT

PART # 18428 SCALER WITH 7" NEEDLE ATTACHMENT



For assistance in any sales, technical, maintenance or repair questions, please call APT @
Phone: (800) 532-7402 or (714) 285-2828 • Fax: (800) 715-6502 or (714) 285-2829
1000 S. Grand Ave, Santa Ana, CA 92705

Website: www.apptools.com • e-mail: info@apptools.com

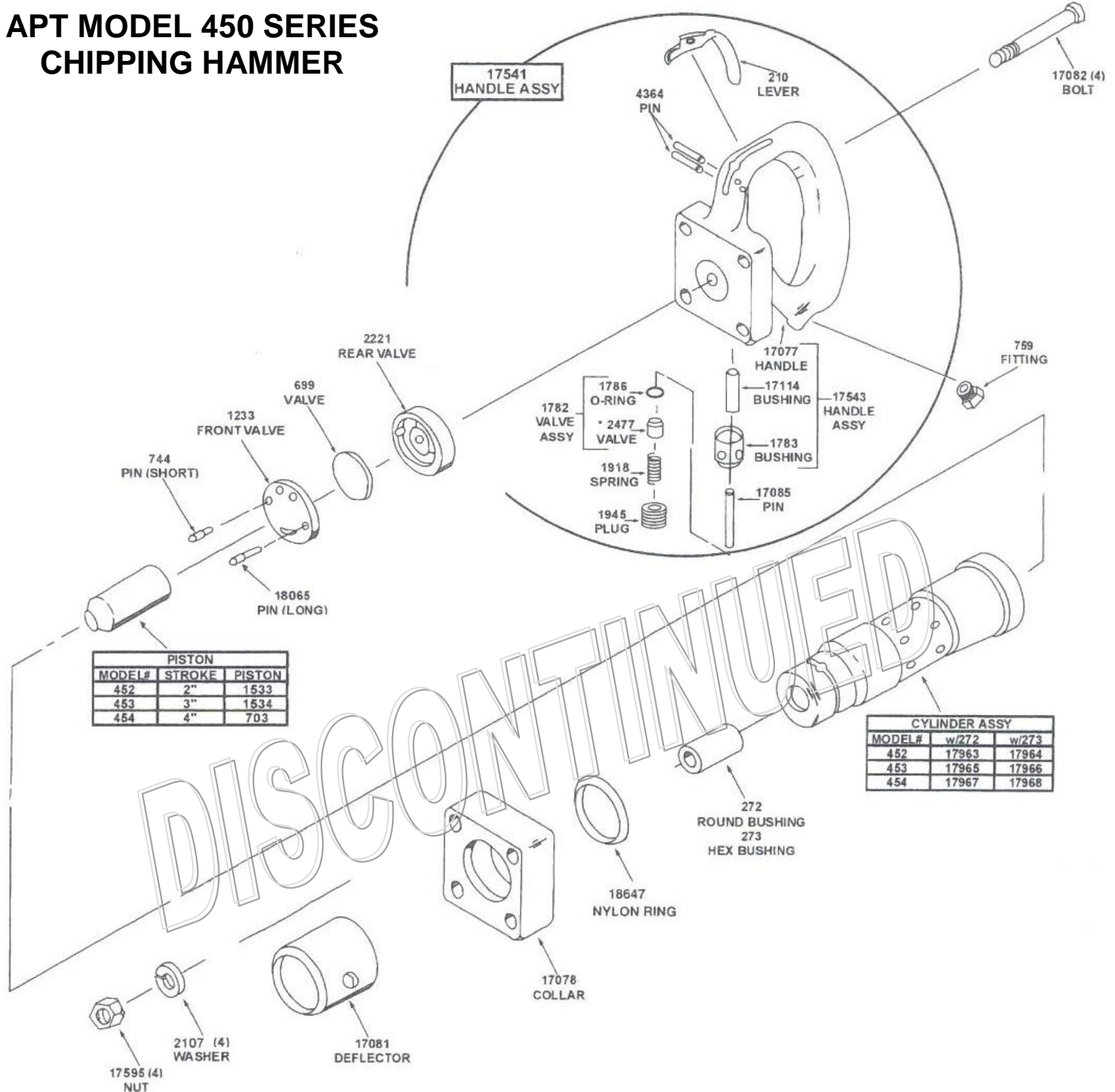
TDS-1085 Rev B

© 2017 AMERICAN PNEUMATIC TOOLS a business unit within: Construction Equipment North America LLC.



American Pneumatic Tools

APT MODEL 450 SERIES CHIPPING HAMMER



For assistance in any sales, technical, maintenance or repair questions, please call APT @
 Phone: (800) 532-7402 or (714) 285-2828 • Fax: (800) 715-6502 or (714) 285-2829
 1000 S. Grand Ave, Santa Ana, CA 92705

Website: www.apr-tools.com • e-mail: info@apr-tools.com

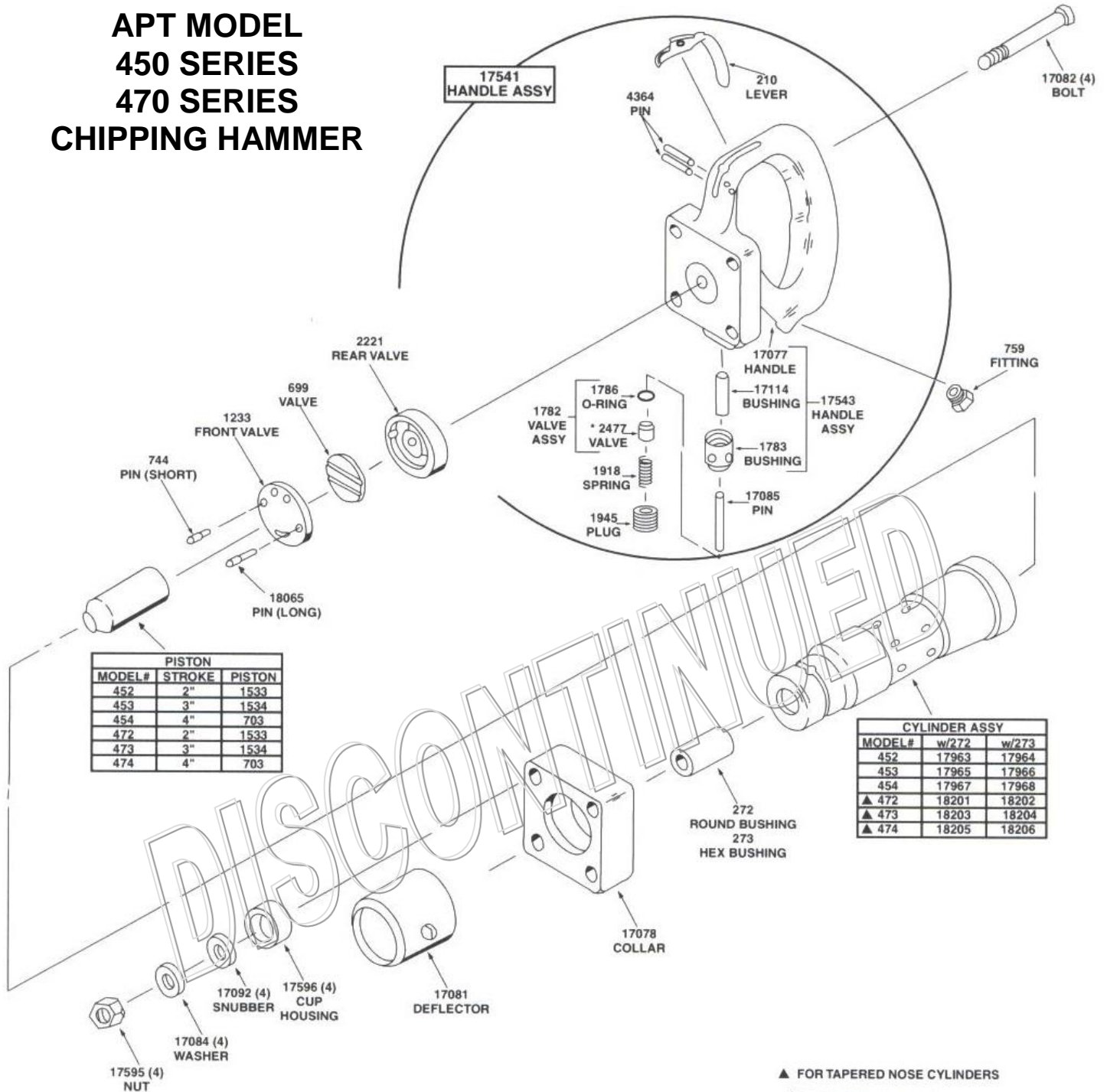
TDS-1086 Rev B

© 2017 AMERICAN PNEUMATIC TOOLS a business unit within: Construction Equipment North America LLC.



American Pneumatic Tools

APT MODEL 450 SERIES 470 SERIES CHIPPING HAMMER



▲ FOR TAPERED NOSE CYLINDERS

* FOR REFERENCE ONLY
(THESE PARTS NOT SOLD SEPARATELY)

For assistance in any sales, technical, maintenance or repair questions, please call APT @
Phone: (800) 532-7402 or (714) 285-2828 • Fax: (800) 715-6502 or (714) 285-2829
1000 S. Grand Ave, Santa Ana, CA 92705

Website: www.apr-tools.com • e-mail: info@apr-tools.com

TDS-1087 Rev B

© 2017 AMERICAN PNEUMATIC TOOLS a business unit within: Construction Equipment North America LLC.

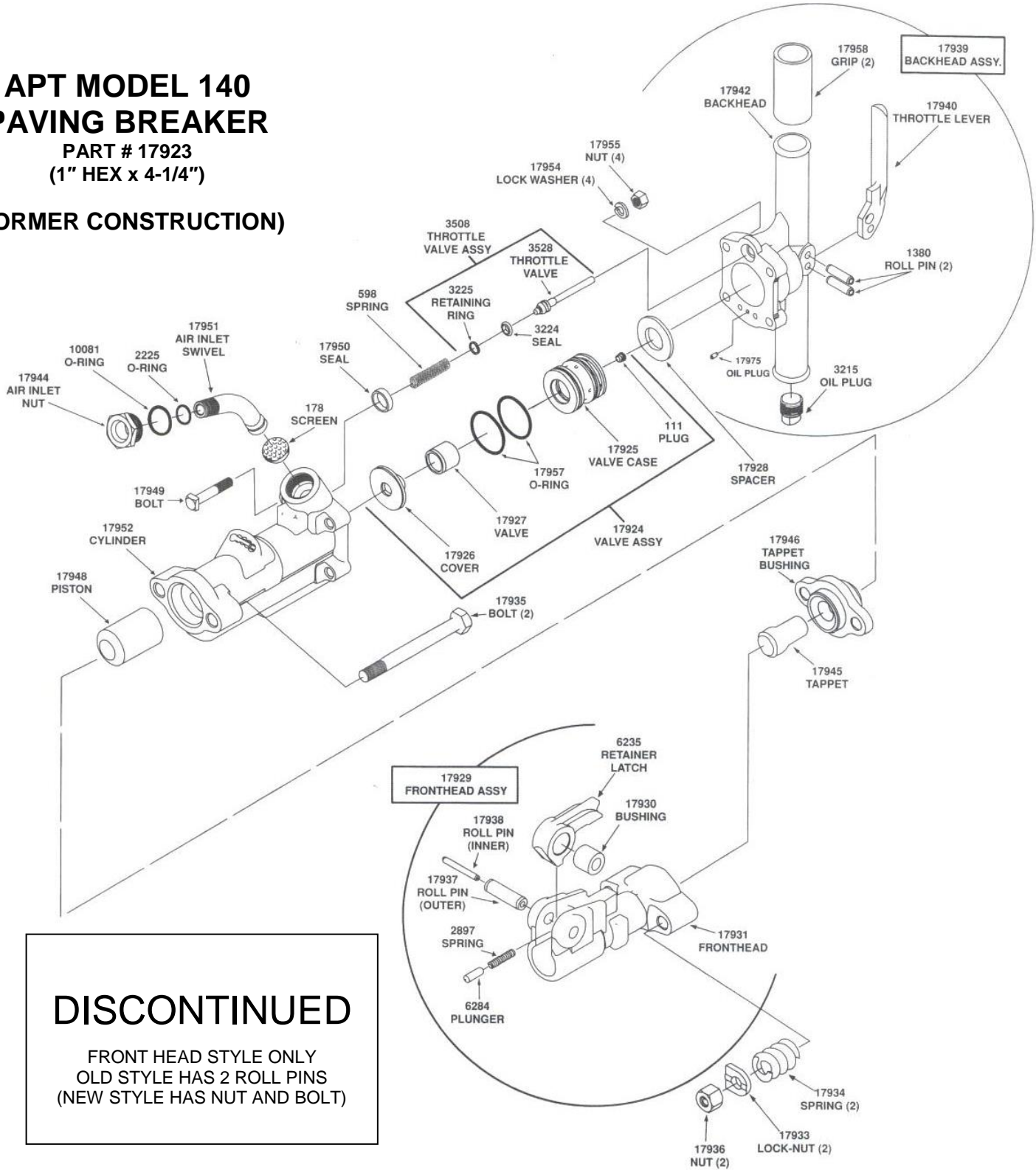


American Pneumatic Tools

APT MODEL 140 PAVING BREAKER

PART # 17923
(1" HEX x 4-1/4")

(FORMER CONSTRUCTION)



DISCONTINUED

FRONT HEAD STYLE ONLY
OLD STYLE HAS 2 ROLL PINS
(NEW STYLE HAS NUT AND BOLT)

For assistance in any sales, technical, maintenance or repair questions, please call APT @
Phone: (800) 532-7402 or (714) 285-2828 • Fax: (800) 715-6502 or (714) 285-2829
1000 S. Grand Ave, Santa Ana, CA 92705

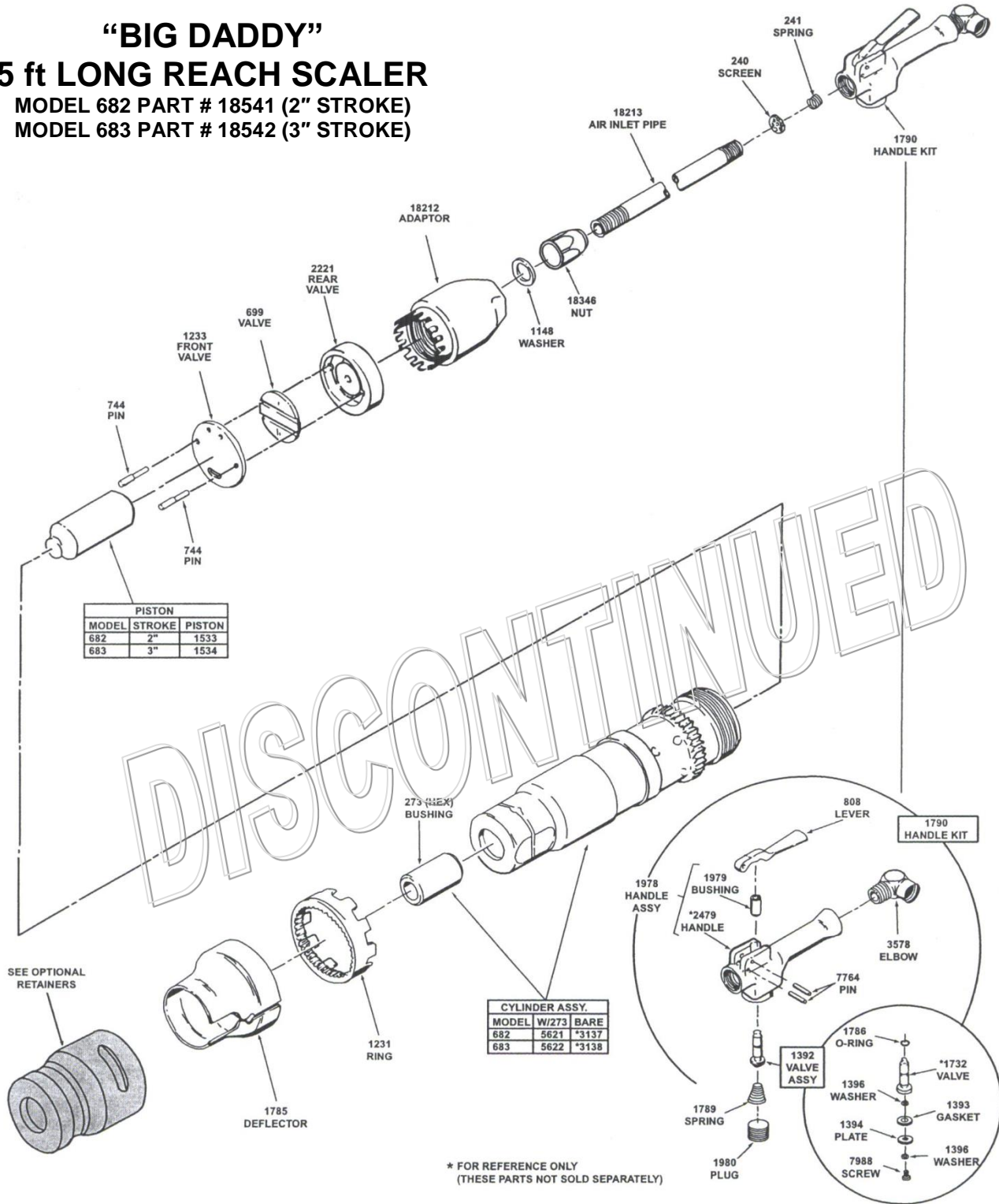
Website: www.apr-tools.com • e-mail: info@apr-tools.com

TDS-1088 Rev B



American Pneumatic Tools

“BIG DADDY”
5 ft LONG REACH SCALER
 MODEL 682 PART # 18541 (2" STROKE)
 MODEL 683 PART # 18542 (3" STROKE)



* FOR REFERENCE ONLY
 (THESE PARTS NOT SOLD SEPARATELY)

For assistance in any sales, technical, maintenance or repair questions, please call APT @
 Phone: (800) 532-7402 or (714) 285-2828 • Fax: (800) 715-6502 or (714) 285-2829
 1000 S. Grand Ave, Santa Ana, CA 92705

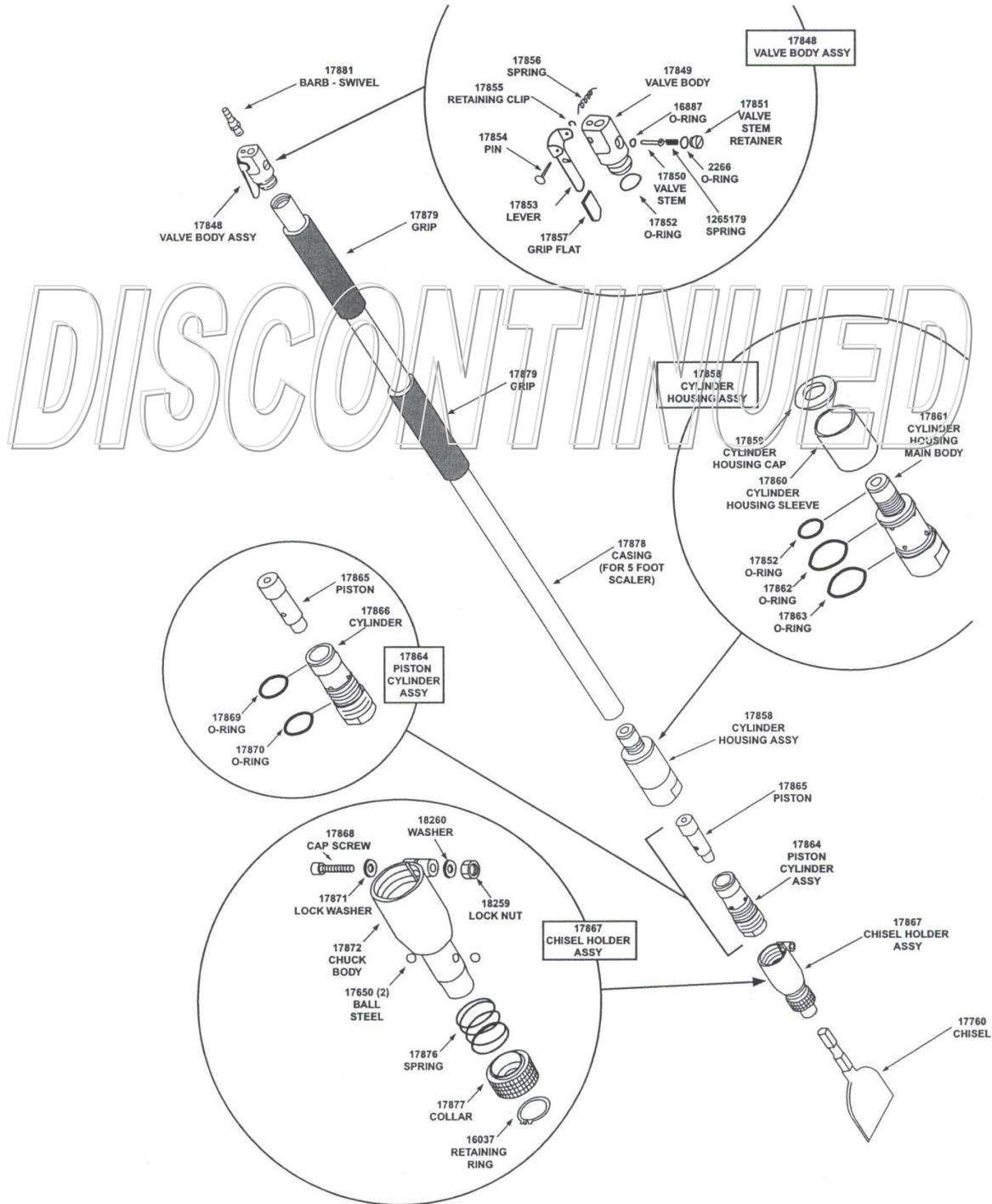
Website: www.apr-tools.com • e-mail: info@apr-tools.com

TDS-1113 Rev B



American Pneumatic Tools

LONG REACH SCALER PART # 17751



For assistance in any sales, technical, maintenance or repair questions, please call APT @
Phone: (800) 532-7402 or (714) 285-2828 • Fax: (800) 715-6502 or (714) 285-2829
1000 S. Grand Ave, Santa Ana, CA 92705

Website: www.apr-tools.com • e-mail: info@apr-tools.com

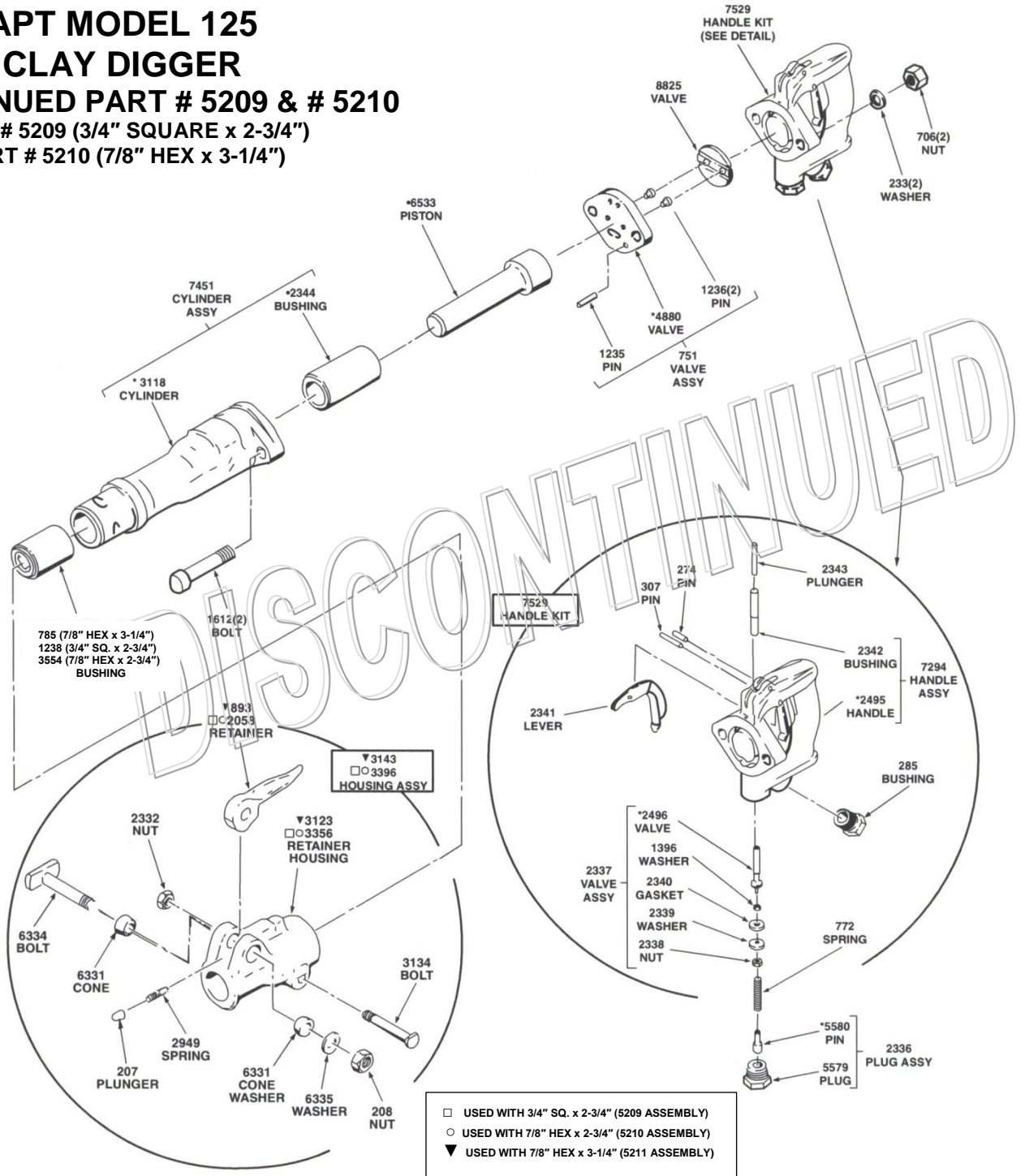
TDS-1114 Rev B

© 2017 AMERICAN PNEUMATIC TOOLS a business unit within: Construction Equipment North America LLC.



American Pneumatic Tools

**APT MODEL 125
CLAY DIGGER**
DISCONTINUED PART # 5209 & # 5210
 PART # 5209 (3/4" SQUARE x 2-3/4")
 PART # 5210 (7/8" HEX x 3-1/4")

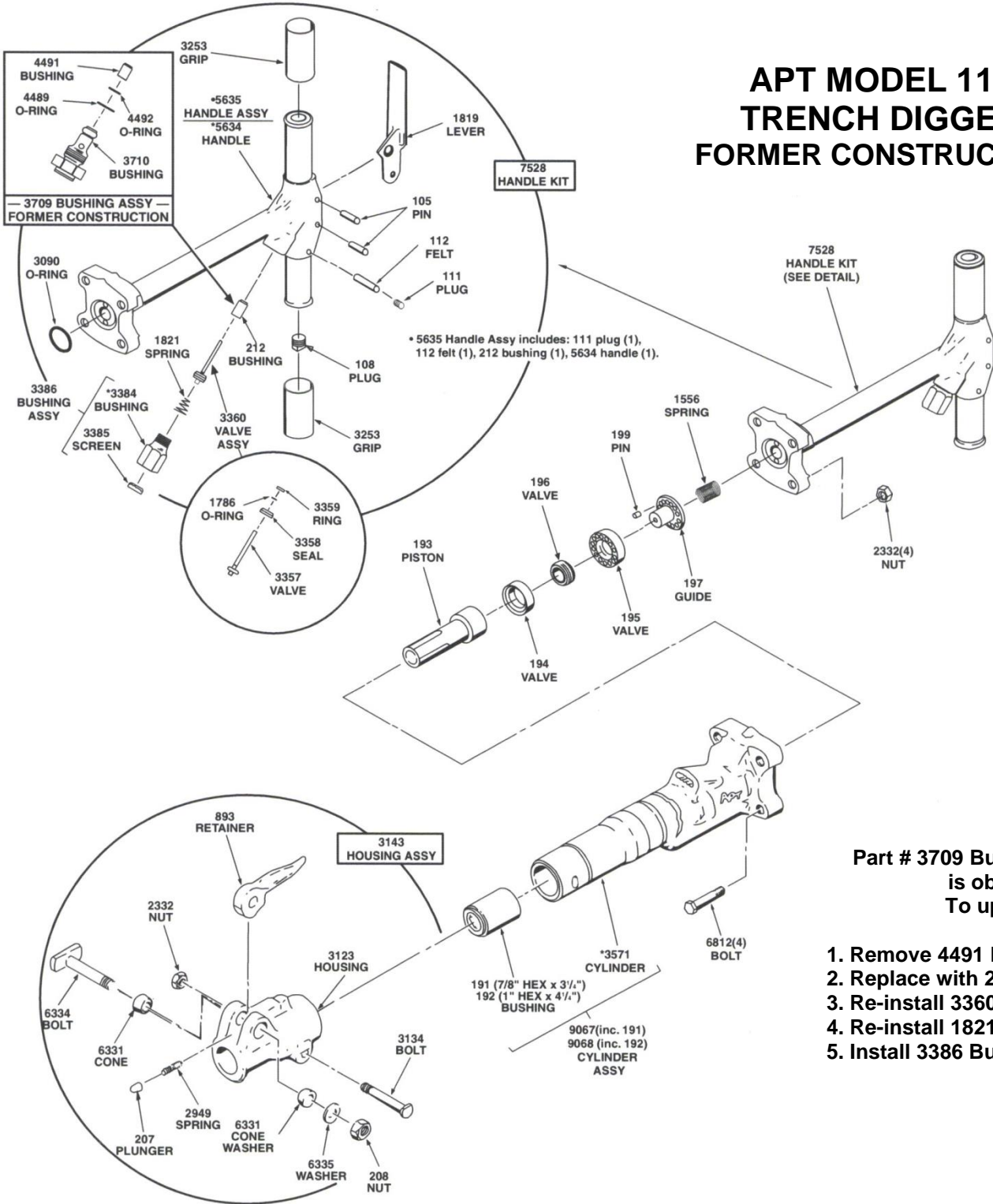


* FOR REFERENCE ONLY
 (THESE PARTS NOT SOLD SEPARATELY)
 ** Models have been discontinued.

For assistance in any sales, technical, maintenance or repair questions, please call APT @
 Phone: (800) 532-7402 or (714) 285-2828 • Fax: (800) 715-6502 or (714) 285-2829
 1000 S. Grand Ave, Santa Ana, CA 92705



American Pneumatic Tools



APT MODEL 119 TRENCH DIGGER FORMER CONSTRUCTION

Part # 3709 Bushing Assembly is obsolete.
To upgrade:

1. Remove 4491 Bushing
2. Replace with 212 Bushing
3. Re-install 3360 Valve Assembly
4. Re-install 1821 Spring
5. Install 3386 Bushing Assembly

* FOR REFERENCE ONLY
(THESE PARTS NOT SOLD SEPARATELY) rev 7/01

For assistance in any sales, technical, maintenance or repair questions, please call APT @
Phone: (800) 532-7402 or (714) 285-2828 • Fax: (800) 715-6502 or (714) 285-2829
1000 S. Grand Ave, Santa Ana, CA 92705

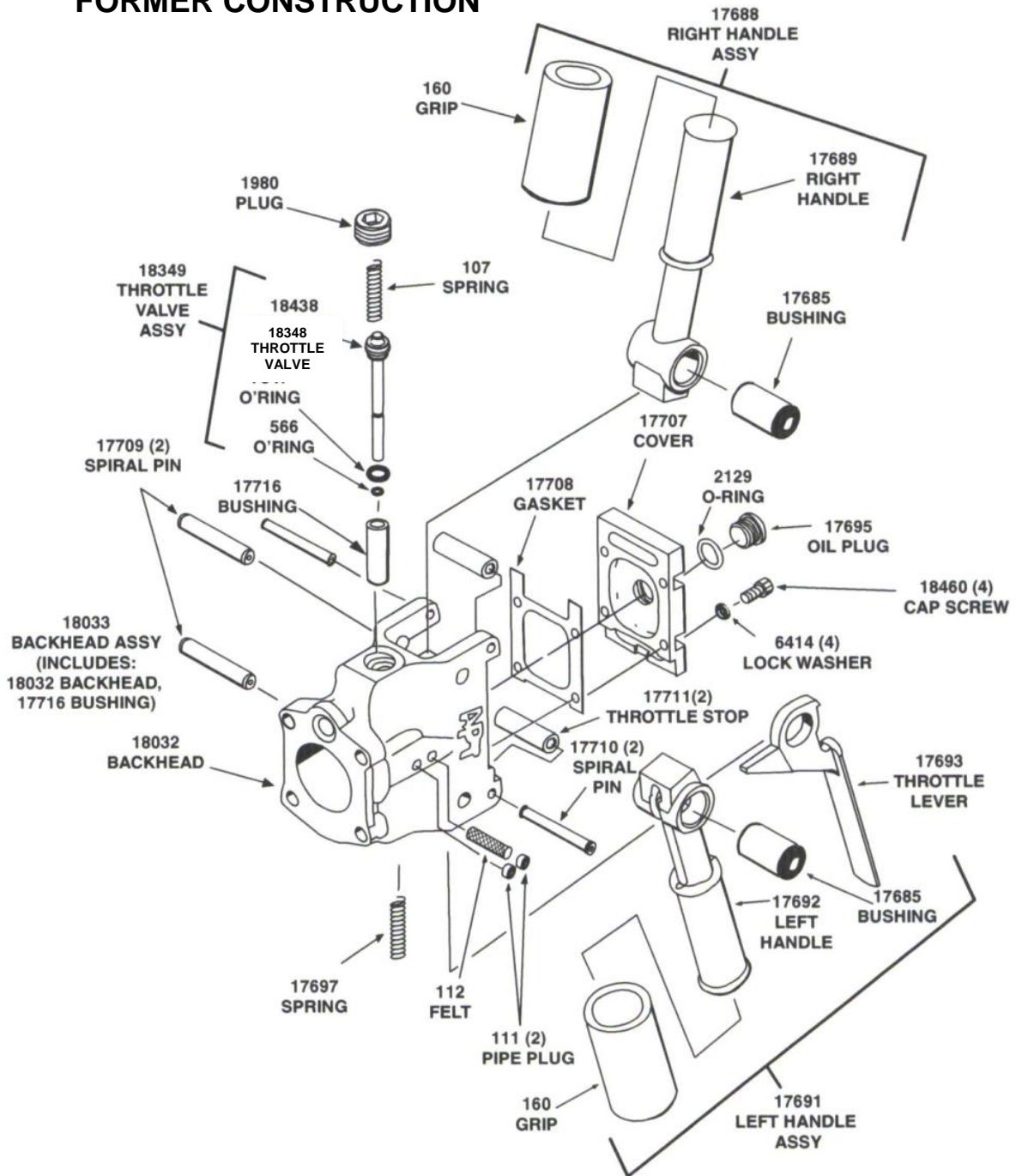
Website: www.apr-tools.com • e-mail: info@apr-tools.com

TDS-1118 Rev B



American Pneumatic Tools

APT MODEL 140A AIRGO-LINE® BACK HEAD ASSEMBLY FORMER CONSTRUCTION



For assistance in any sales, technical, maintenance or repair questions, please call APT @
Phone: (800) 532-7402 or (714) 285-2828 • Fax: (800) 715-6502 or (714) 285-2829
1000 S. Grand Ave, Santa Ana, CA 92705

Website: www.apr-tools.com • e-mail: info@apr-tools.com

TDS-1121 Rev B

© 2017 AMERICAN PNEUMATIC TOOLS a business unit within: Construction Equipment North America LLC.



American Pneumatic Tools

Section 10

Discontinued & Former Constructions of Tools

Paving Breakers

Model 140A	Former construction of Back Head Assembly
Model 140	Former construction of Front Head Assembly
Model 180	Discontinued model
Model 180A	Discontinued model

Rock Drills

Model 138	Discontinued model
-----------	--------------------

Rivet Busters

Model 133 4 bolt	Discontinued model
Model 133T/1133T	Discontinued model
Model 33ST/1133ST	Discontinued model
Model 1433	Discontinued model

Clay & Trench Diggers

M119	Former Construction of Throttle Valve
M125 (5209 & 510)	Discontinued model

Chipping Hammers

M450 Series	Former Construction – Bolt Configuration
M450/470 Series	Discontinued models

Scalers

Model 300	Former Construction – Complete Tool
Long Reach Scaler	Discontinued model
'Big Daddy' Scaler	Discontinued model

For assistance in any sales, technical, maintenance or repair questions, please call APT @
Phone: (800) 532-7402 or (714) 285-2828 • Fax: (800) 715-6502 or (714) 285-2829
1000 S. Grand Ave, Santa Ana, CA 92705